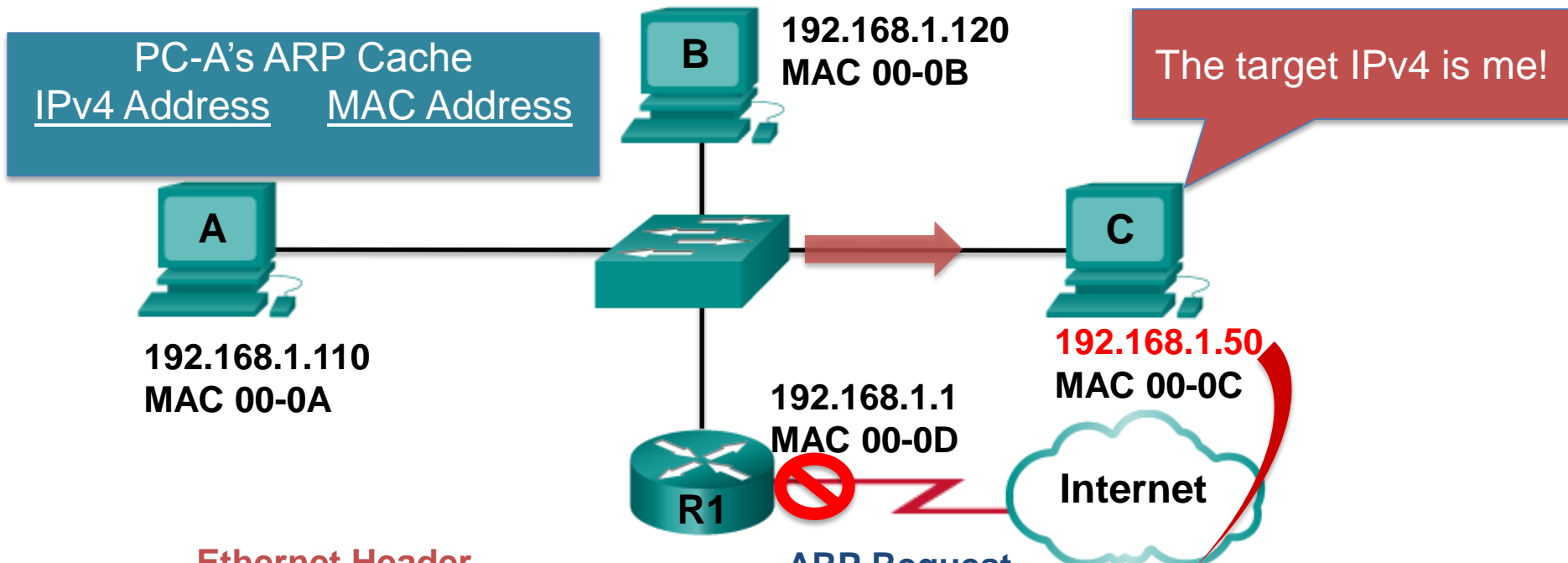


# **5.3.2.4 - ARP Operation - ARP Reply**



**Ethernet Header**

Destination MAC FF-FF	Source MAC 00-0A	<b>Target IPv4</b> 192.168.1.50	<b>Target MAC</b> ???
--------------------------	---------------------	------------------------------------	--------------------------

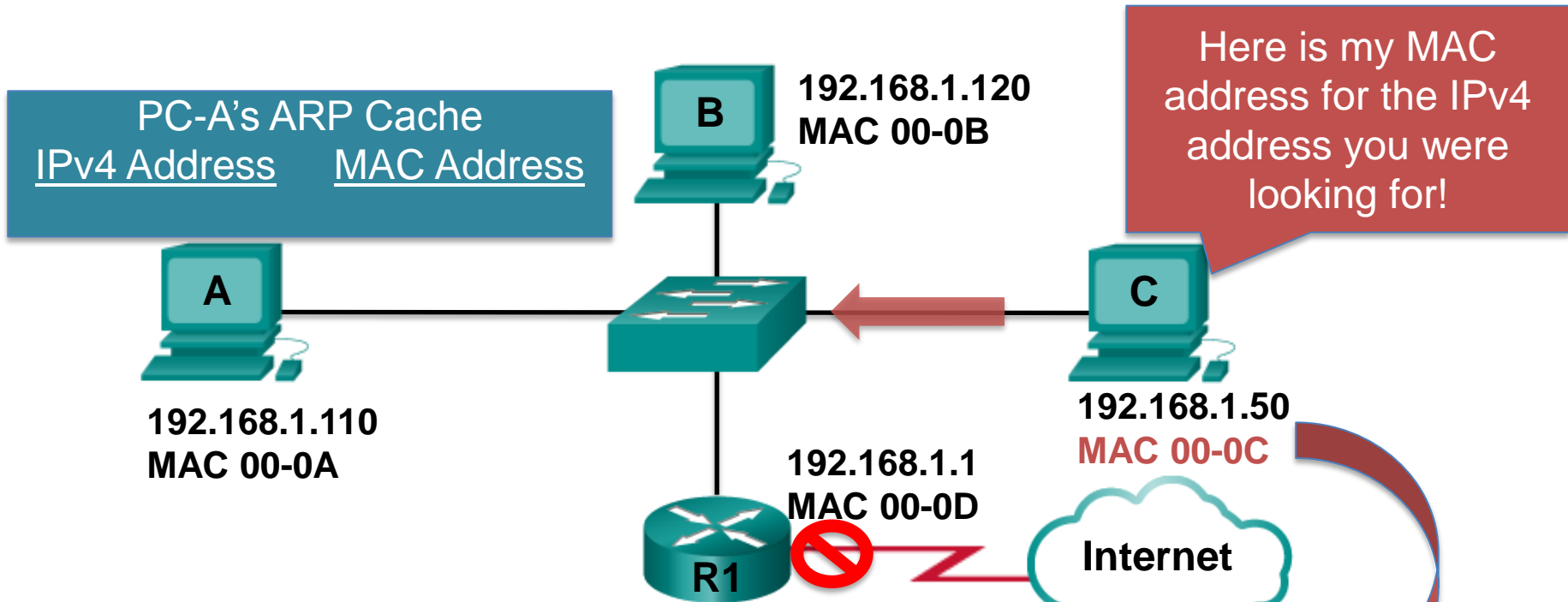
**ARP Request**

**Ethernet Header**

Destination MAC ???	Source MAC 00-0A	<b>Source IP</b> 192.168.1.110	<b>Destination IP</b> 192.168.1.50
------------------------	---------------------	-----------------------------------	---------------------------------------

**IP Packet**

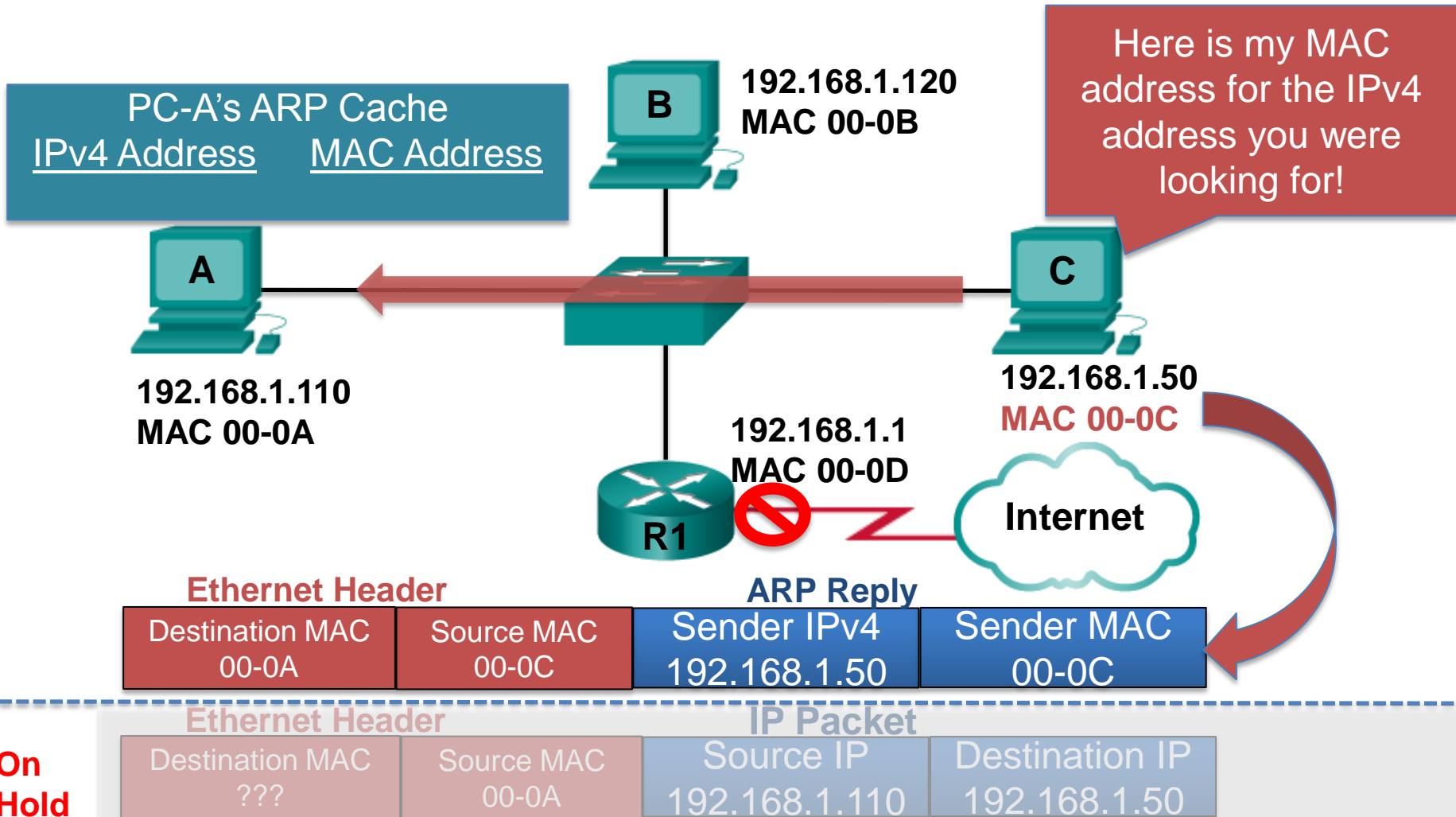
**On Hold**

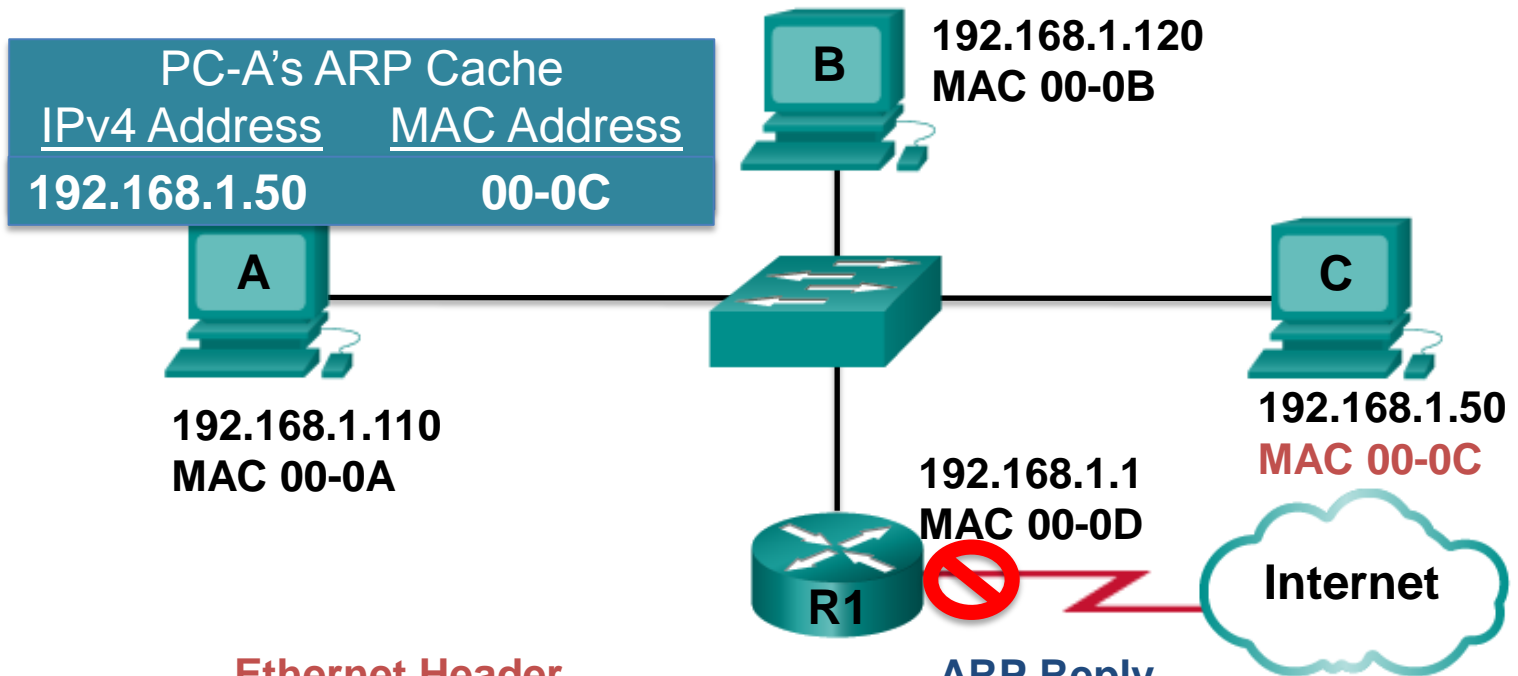


Ethernet Header		ARP Reply	
Destination MAC 00-0A	Source MAC 00-0C	Sender IPv4 192.168.1.50	Sender MAC 00-0C

Ethernet Header		IP Packet	
Destination MAC ???	Source MAC 00-0A	Source IP 192.168.1.110	Destination IP 192.168.1.50

**On Hold**

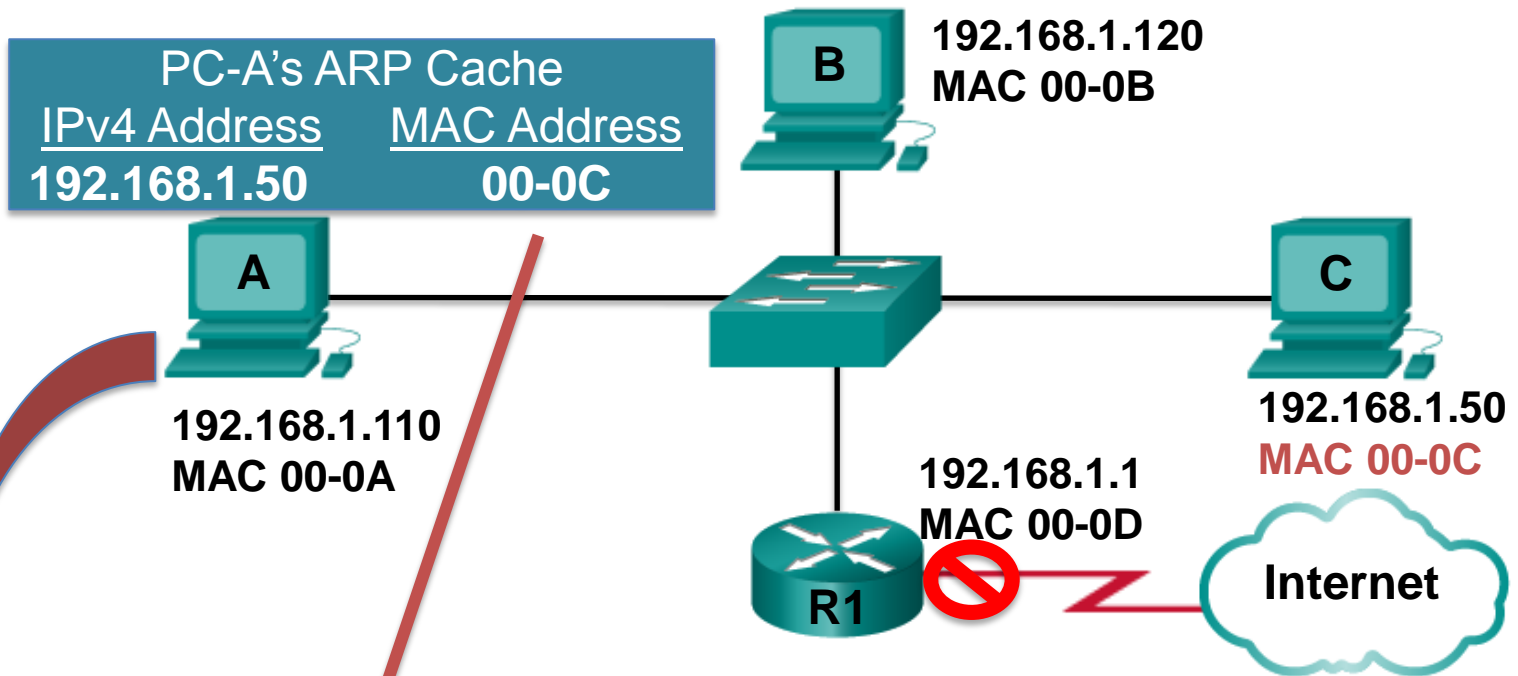




Ethernet Header		ARP Reply	
Destination MAC 00-0A	Source MAC 00-0C	Sender IPv4 192.168.1.50	Sender MAC 00-0C

Ethernet Header		IP Packet	
Destination MAC ???	Source MAC 00-0A	Source IP 192.168.1.110	Destination IP 192.168.1.50

**On Hold**



**Ethernet Header**

Destination MAC ???	Source MAC 00-0A
------------------------	---------------------

**IP Packet**

Source IP 192.168.1.110	Destination IP 192.168.1.50
----------------------------	--------------------------------

