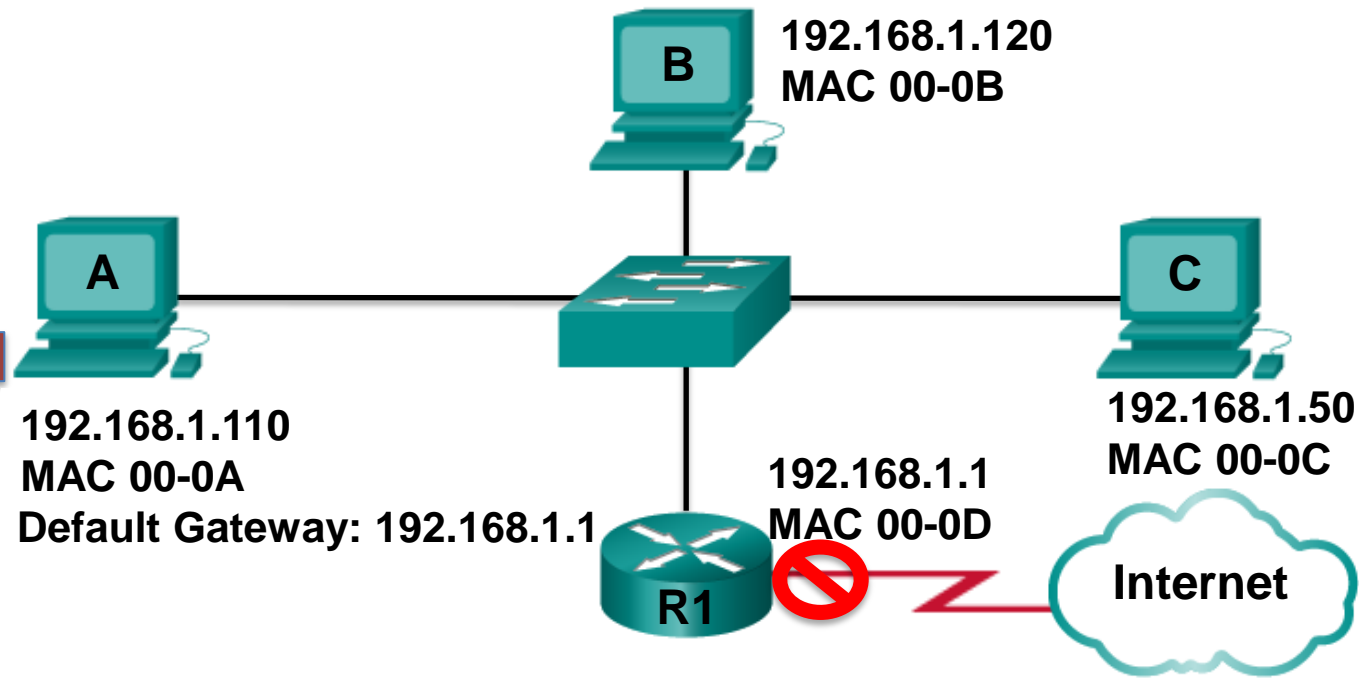
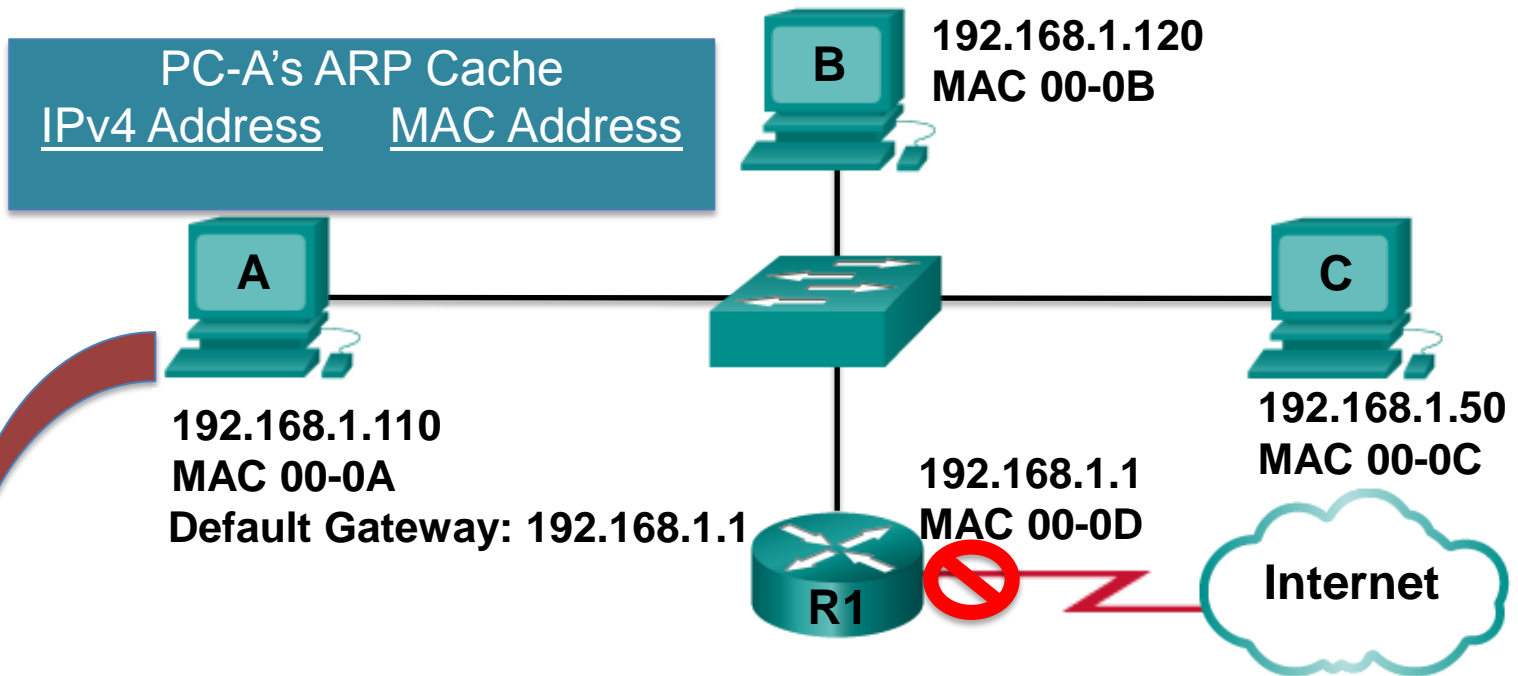


5.3.2.5 - ARP Role in Remote Communication



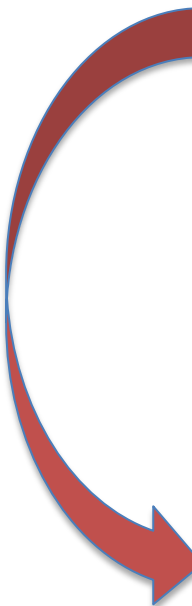
Ethernet Header		IP Packet	
Destination MAC ???	Source MAC 00-0A	Source IP 192.168.1.110	Destination IP 10.1.1.10

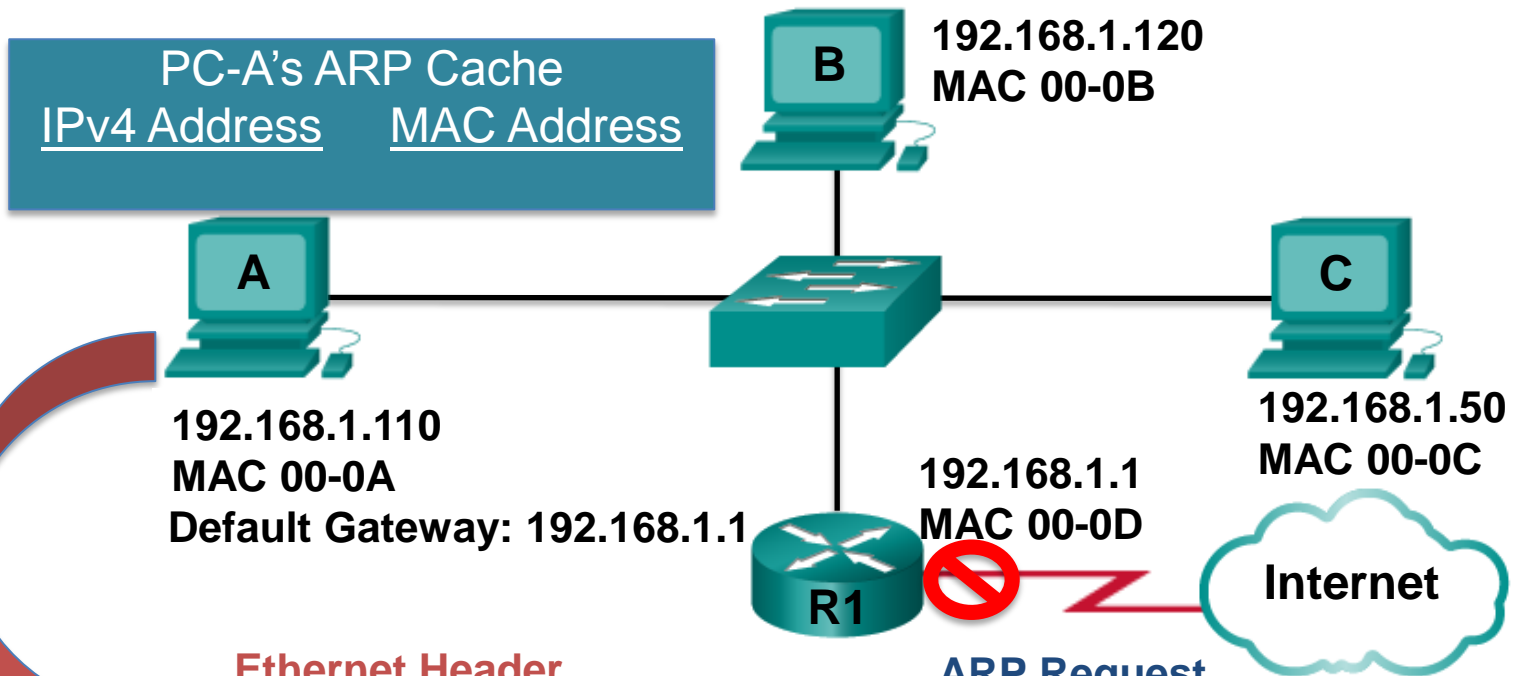


Ethernet Header

IP Packet

Destination MAC ???	Source MAC 00-0A	Source IP 192.168.1.110	Destination IP 10.1.1.10
------------------------	---------------------	----------------------------	-----------------------------

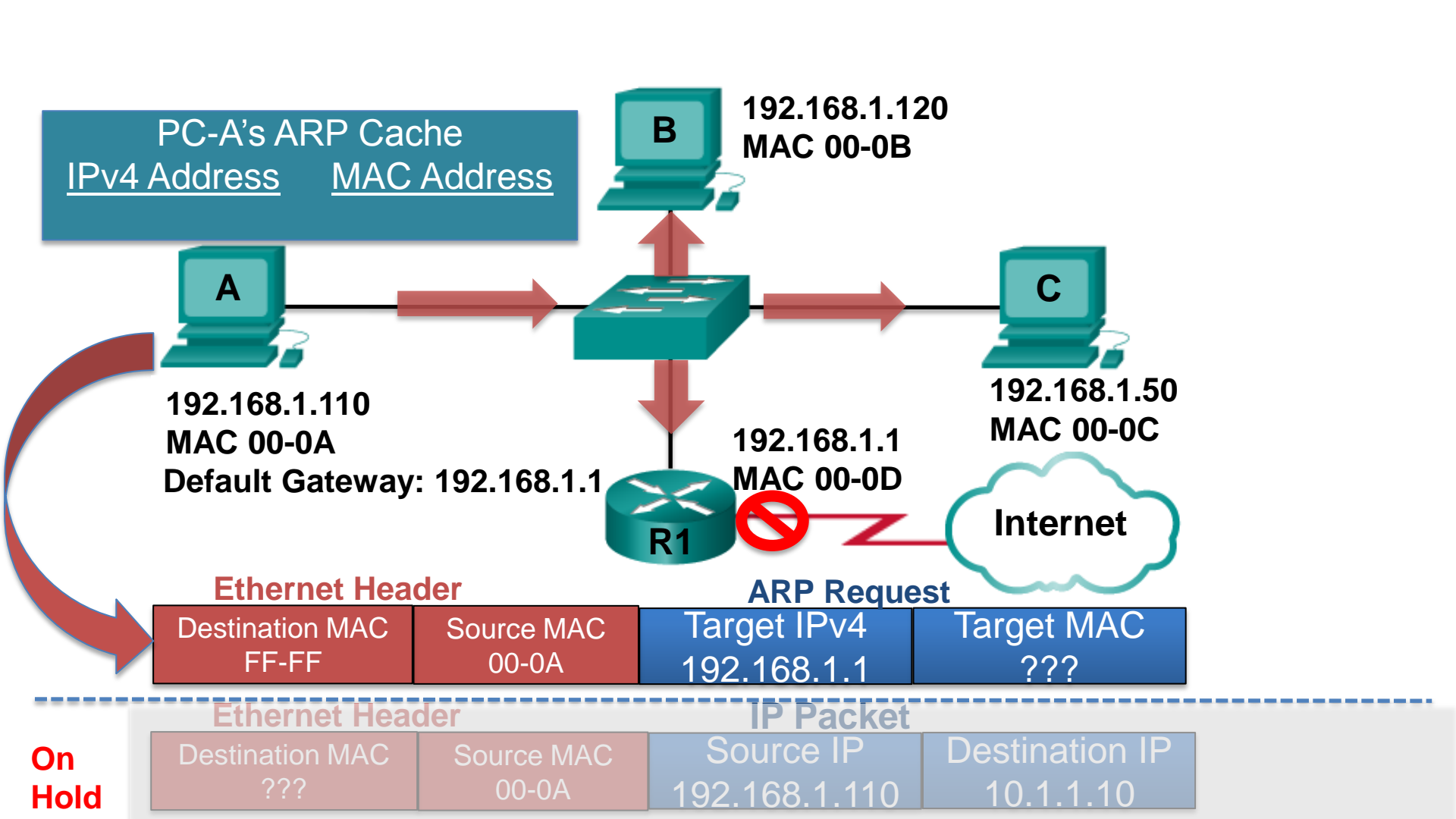




Ethernet Header		ARP Request	
Destination MAC FF-FF	Source MAC 00-0A	Target IPv4 192.168.1.1	Target MAC ???

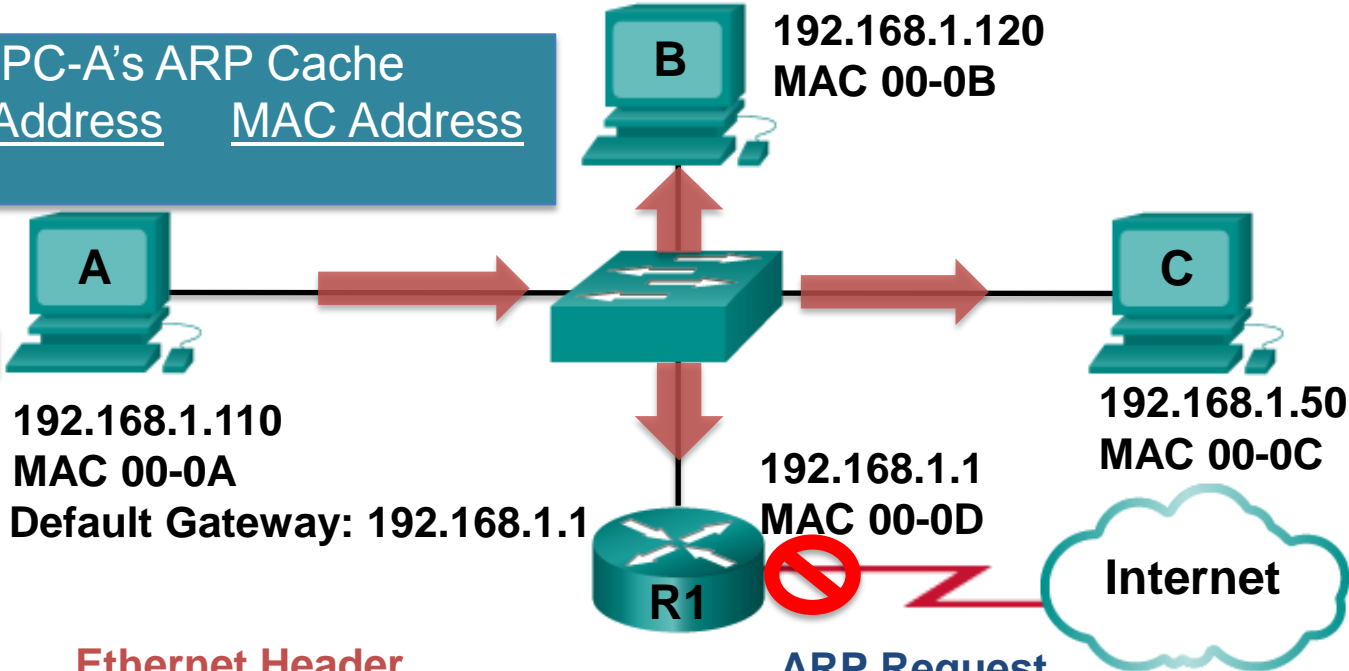
Ethernet Header		IP Packet	
Destination MAC ???	Source MAC 00-0A	Source IP 192.168.1.110	Destination IP 10.1.1.10

On Hold



PC-A's ARP Cache

IPv4 Address	MAC Address
--------------	-------------



Ethernet Header

Destination MAC FF-FF	Source MAC 00-0A	Target IPv4 192.168.1.1	Target MAC ???
--------------------------	---------------------	----------------------------	-------------------

Ethernet Header

Destination MAC ???	Source MAC 00-0A	Source IP 192.168.1.110	Destination IP 10.1.1.10
------------------------	---------------------	----------------------------	-----------------------------

IP Packet

On Hold

The target IPv4 is not me.

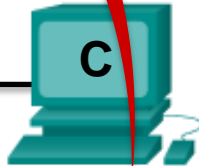
PC-A's ARP Cache
IPv4 Address MAC Address



A
192.168.1.110
MAC 00-0A
Default Gateway: 192.168.1.1



B
192.168.1.120
MAC 00-0B



C
192.168.1.50
MAC 00-0C



192.168.1.1
MAC 00-0D



Internet

Ethernet Header

Destination MAC FF-FF	Source MAC 00-0A	Target IPv4 192.168.1.1	Target MAC ???
--------------------------	---------------------	----------------------------	-------------------

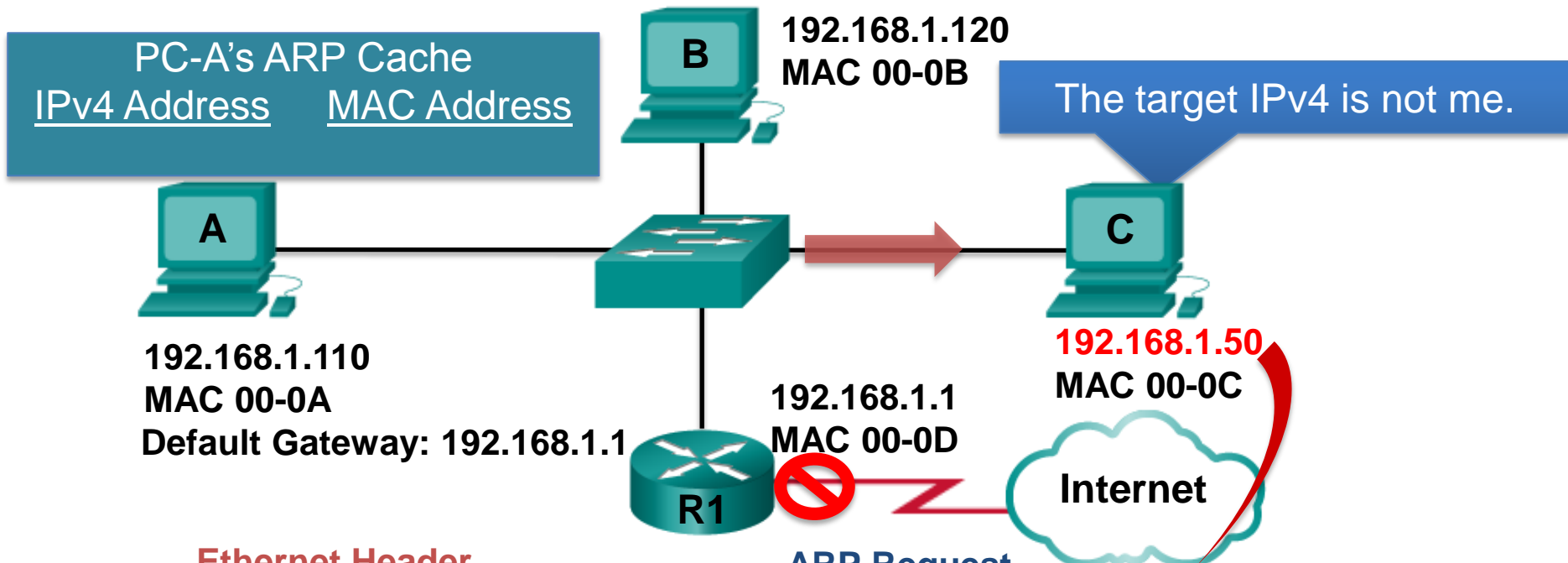
ARP Request

Ethernet Header

IP Packet

Destination MAC ???	Source MAC 00-0A	Source IP 192.168.1.110	Destination IP 10.1.1.10
------------------------	---------------------	----------------------------	-----------------------------

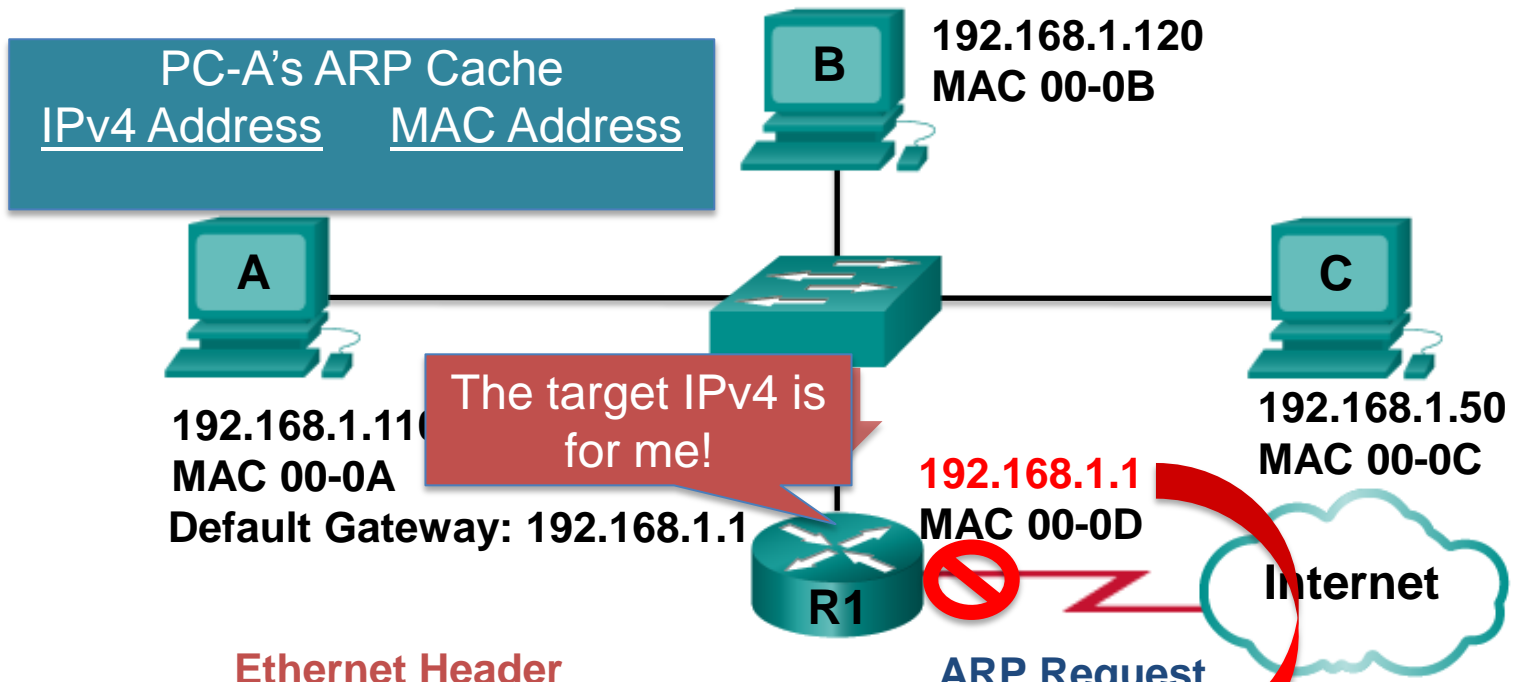
On Hold



Ethernet Header		ARP Request	
Destination MAC FF-FF	Source MAC 00-0A	Target IPv4 192.168.1.1	Target MAC ???

Ethernet Header		IP Packet	
Destination MAC ???	Source MAC 00-0A	Source IP 192.168.1.110	Destination IP 10.1.1.10

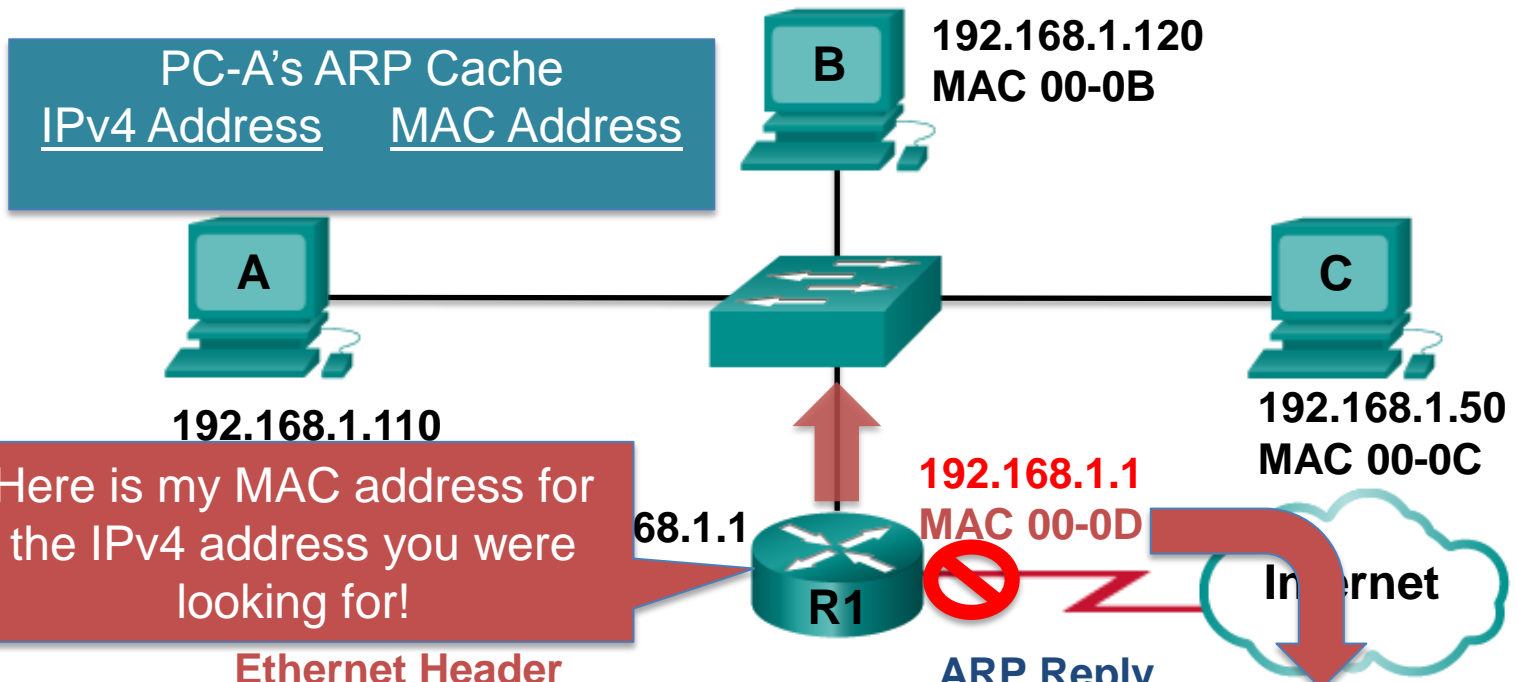
On Hold



Ethernet Header		ARP Request	
Destination MAC FF-FF	Source MAC 00-0A	Target IPv4 192.168.1.1	Target MAC ???

Ethernet Header		IP Packet	
Destination MAC ???	Source MAC 00-0A	Source IP 192.168.1.110	Destination IP 10.1.1.10

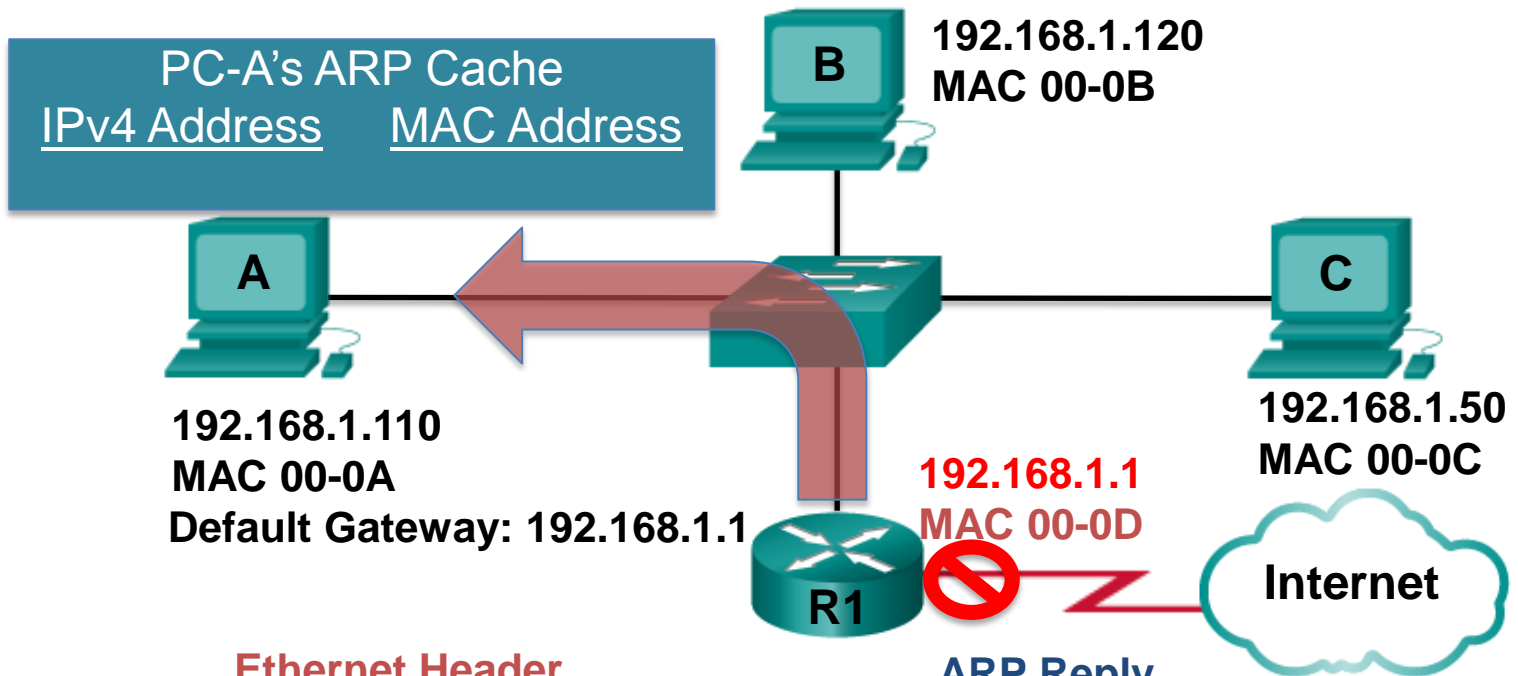
On Hold



Ethernet Header		ARP Reply	
Destination MAC 00-0A	Source MAC 00-0D	Target IPv4 192.168.1.1	Target MAC 00-0D

Ethernet Header		IP Packet	
Destination MAC ???	Source MAC 00-0A	Source IP 192.168.1.110	Destination IP 10.1.1.10

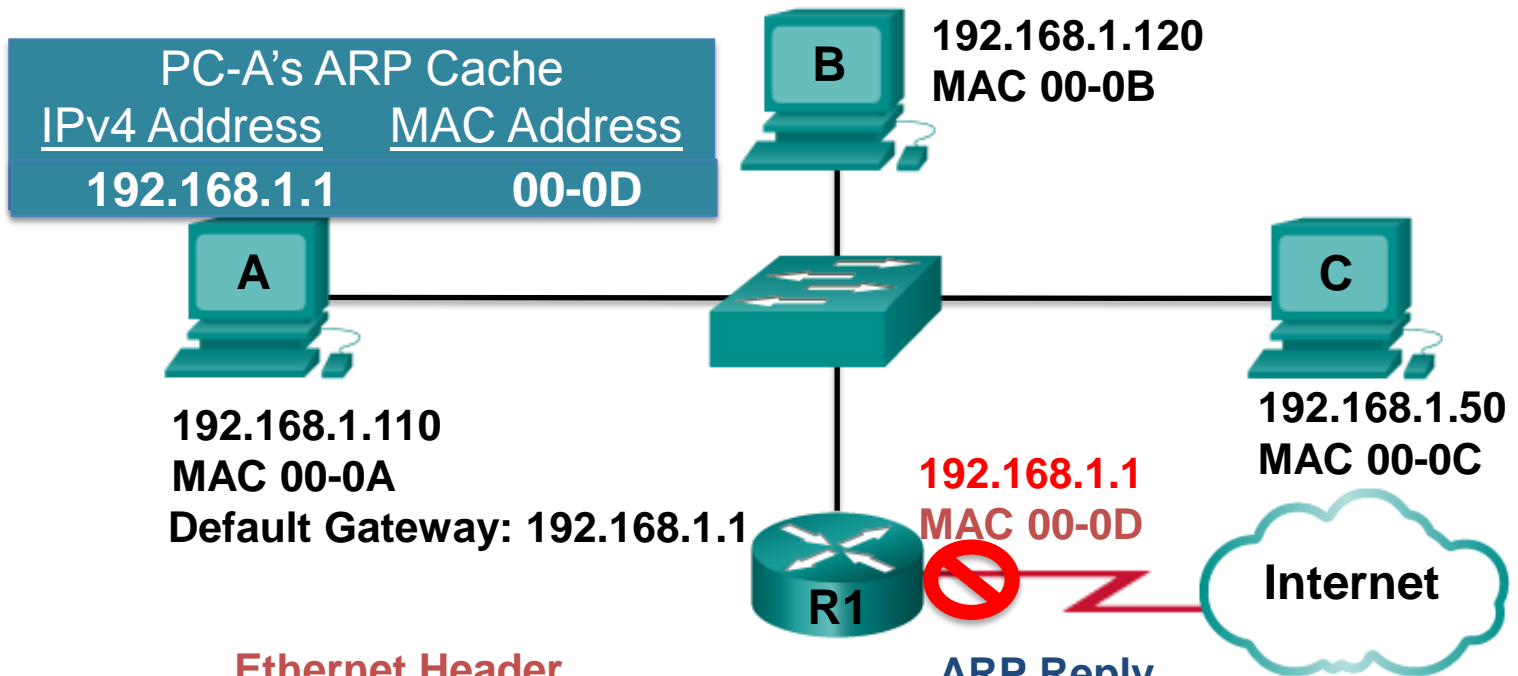
On Hold



Ethernet Header		ARP Reply	
Destination MAC 00-0A	Source MAC 00-0D	Target IPv4 192.168.1.1	Target MAC 00-0D

Ethernet Header		IP Packet	
Destination MAC ???	Source MAC 00-0A	Source IP 192.168.1.110	Destination IP 10.1.1.10

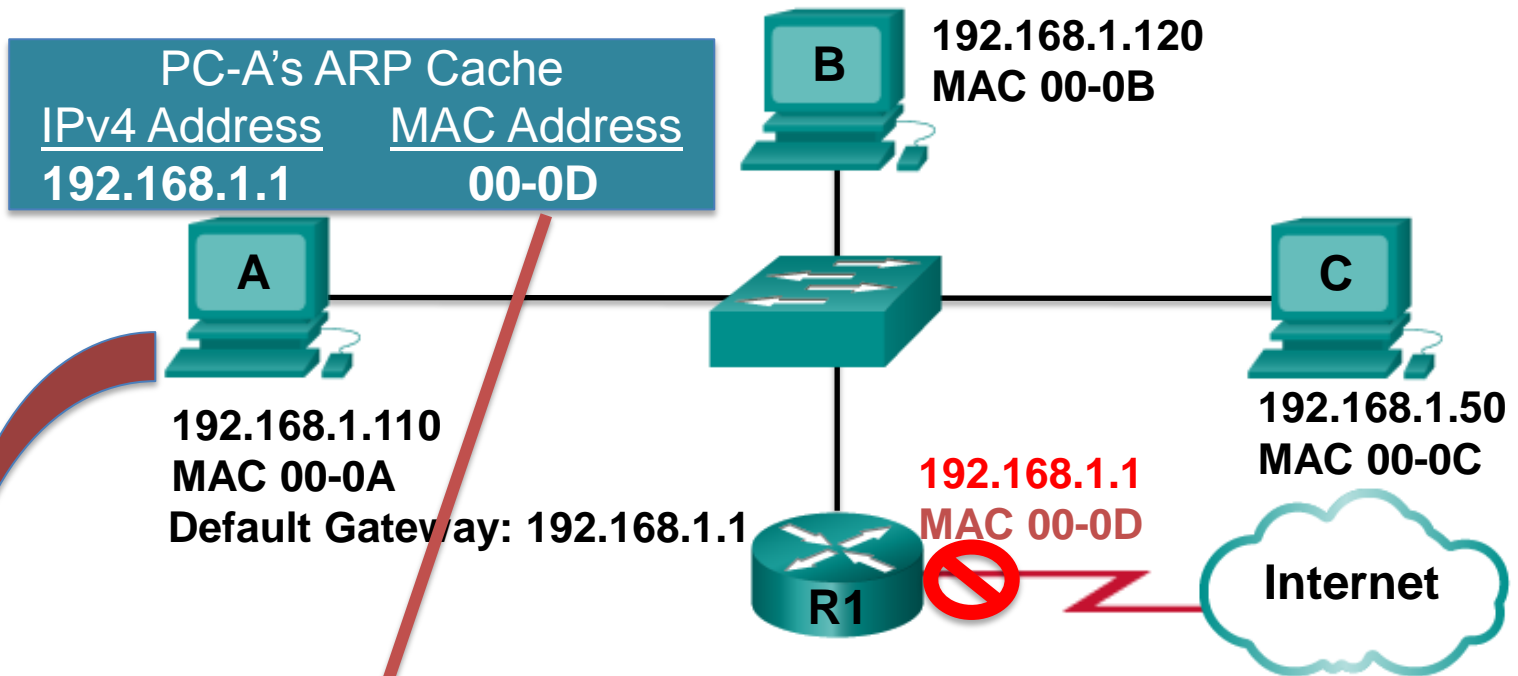
On Hold



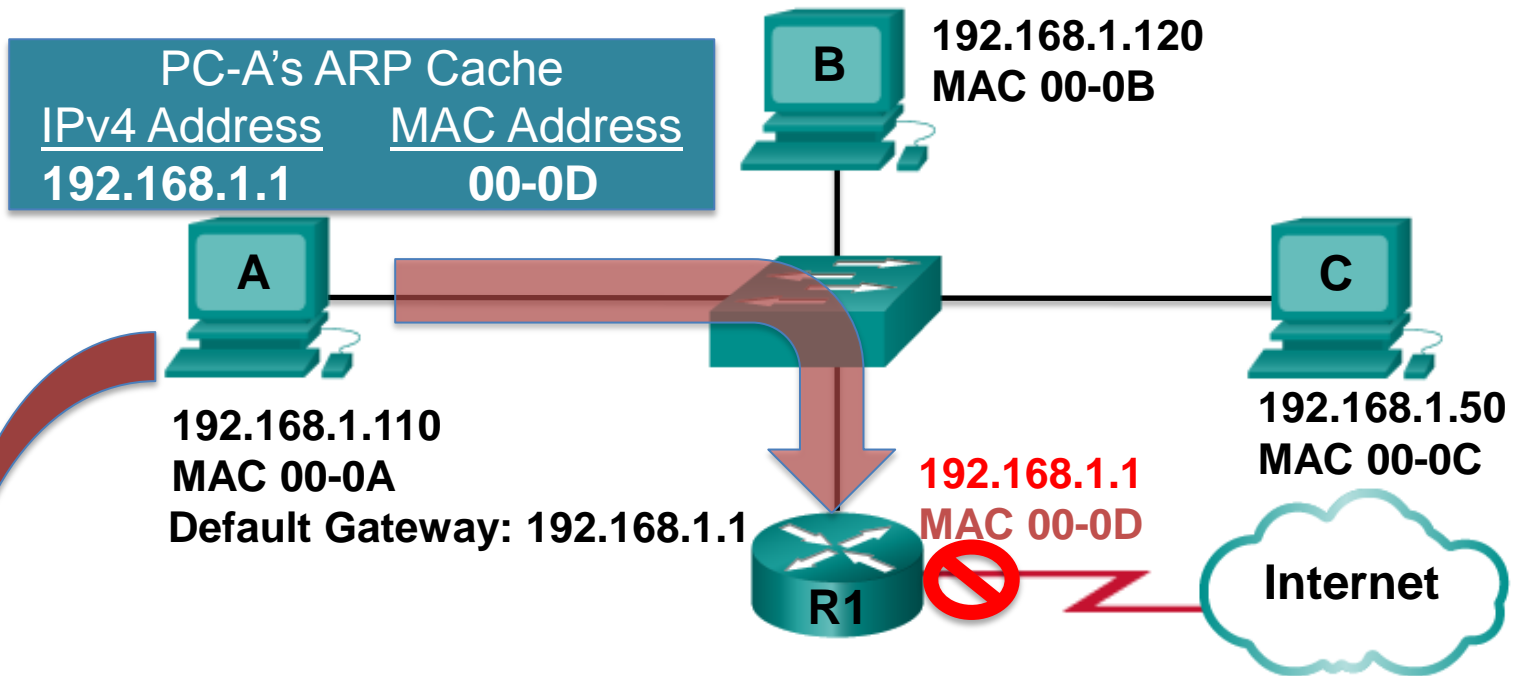
Ethernet Header		ARP Reply	
Destination MAC 00-00A	Source MAC 00-0D	Target IPv4 192.168.1.1	Target MAC 00-0D

Ethernet Header		IP Packet	
Destination MAC ???	Source MAC 00-0A	Source IP 192.168.1.110	Destination IP 10.1.1.10

On Hold



Ethernet Header		IP Packet	
Destination MAC ???	Source MAC 00-0A	Source IP 192.168.1.110	Destination IP 10.1.1.10



Ethernet Header		IP Packet	
Destination MAC	Source MAC	Source IP	Destination IP
00-0D	00-0A	192.168.1.110	10.1.1.10