

5.2.1.5 - Sending a Frame to the Default Gateway

S1 MAC Address Table

<u>Port</u>	<u>MAC Address</u>
-------------	--------------------

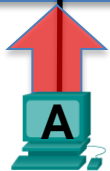
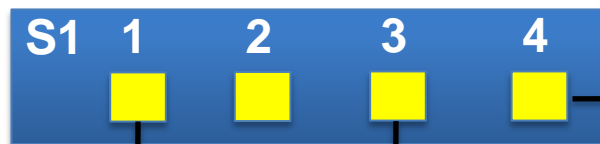
1	00-0A
---	-------

3	00-0B
---	-------

S2 MAC Address Table

<u>Port</u>	<u>MAC Address</u>
-------------	--------------------

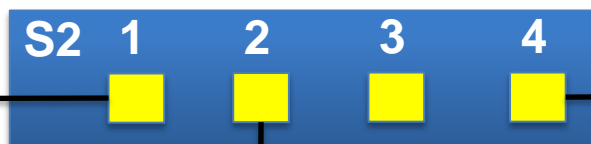
1	00-0A
---	-------



MAC
00-0A



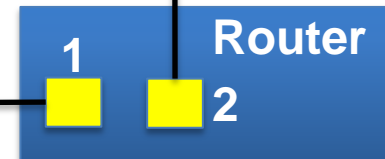
MAC
00-0B



MAC
00-0C



Internet



MAC
00-0D



S1 MAC Address Table

<u>Port</u>	<u>MAC Address</u>
-------------	--------------------

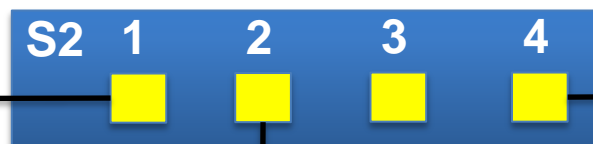
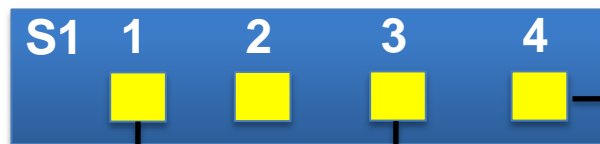
1	00-0A
---	-------

3	00-0B
---	-------

S2 MAC Address Table

<u>Port</u>	<u>MAC Address</u>
-------------	--------------------

1	00-0A
---	-------



MAC
00-0D

Destination MAC
00-0D

Source MAC
00-0A

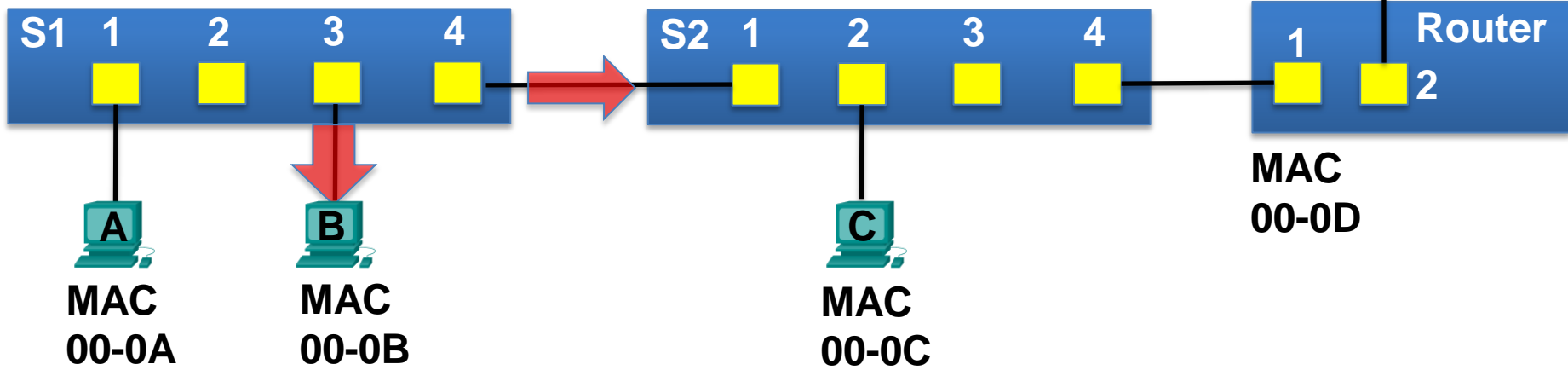
Type

Data
Destination IP address on a
remote network

FCS

S1 MAC Address Table	
<u>Port</u>	<u>MAC Address</u>
1	00-0A
3	00-0B

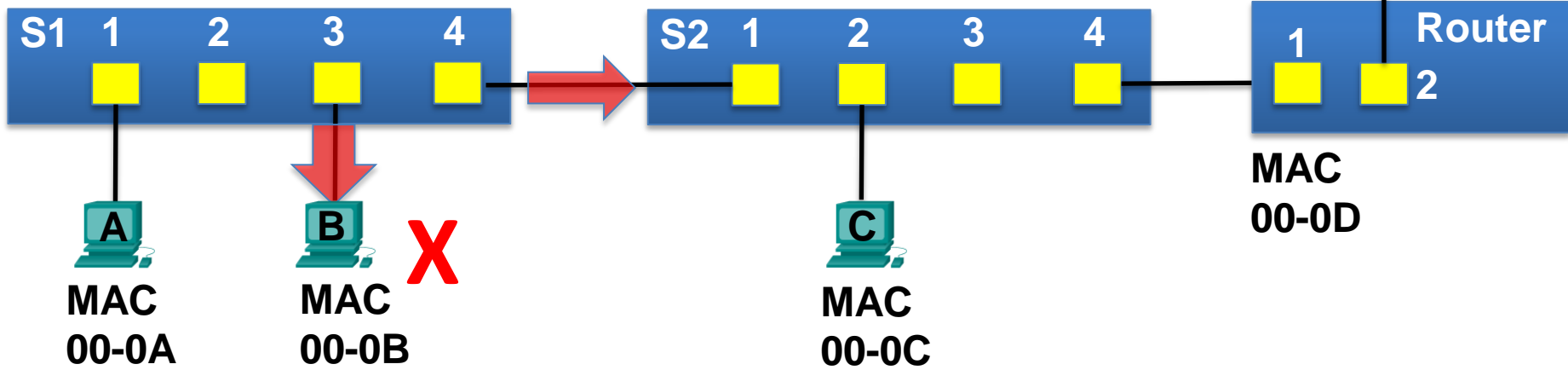
S2 MAC Address Table	
<u>Port</u>	<u>MAC Address</u>
1	00-0A



Destination MAC 00-0D	Source MAC 00-0A	Type	Data Destination IP address on a remote network	FCS
--------------------------	---------------------	------	---	-----

S1 MAC Address Table	
<u>Port</u>	<u>MAC Address</u>
1	00-0A
3	00-0B

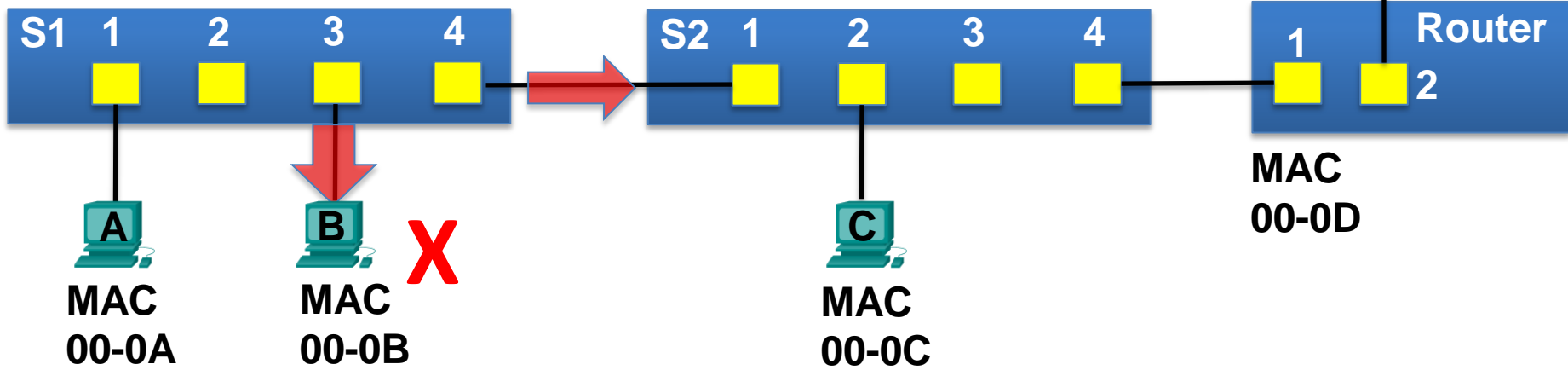
S2 MAC Address Table	
<u>Port</u>	<u>MAC Address</u>
1	00-0A



Destination MAC 00-0D	Source MAC 00-0A	Type	Data Destination IP address on a remote network	FCS
--------------------------	---------------------	------	--	-----

S1 MAC Address Table	
<u>Port</u>	<u>MAC Address</u>
1	00-0A
3	00-0B

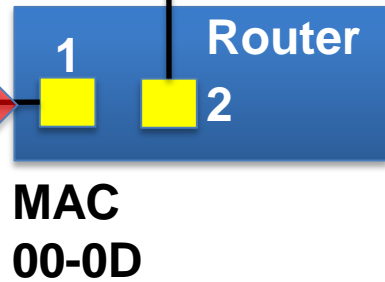
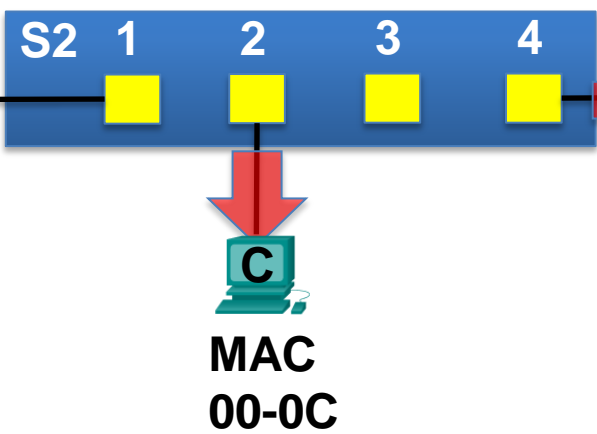
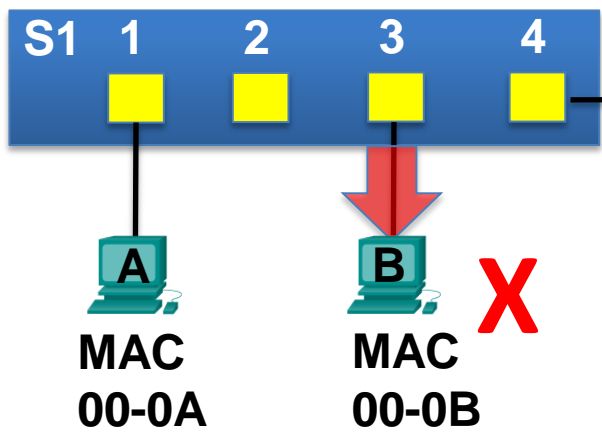
S2 MAC Address Table	
<u>Port</u>	<u>MAC Address</u>
1	00-0A



Destination MAC 00-0D	Source MAC 00-0A	Type	Data Destination IP address on a remote network	FCS
--------------------------	---------------------	------	---	-----

S1 MAC Address Table	
<u>Port</u>	<u>MAC Address</u>
1	00-0A
3	00-0B

S2 MAC Address Table	
<u>Port</u>	<u>MAC Address</u>
1	00-0A



S1 MAC Address Table

<u>Port</u>	<u>MAC Address</u>
1	00-0A
3	00-0B

S2 MAC Address Table

<u>Port</u>	<u>MAC Address</u>
1	00-0A

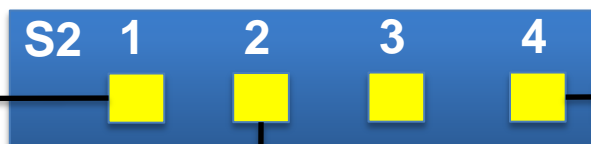


MAC
00-0A



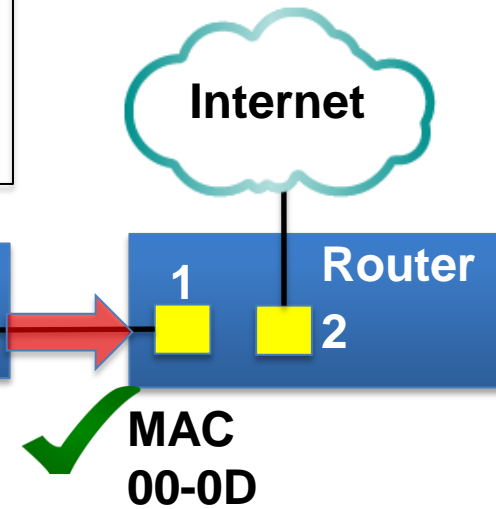
MAC
00-0B

X



MAC
00-0C

X



Internet

Router

MAC
00-0D

Destination MAC
00-0D

Source MAC
00-0A

Type

Data
Destination IP address on a
remote network

FCS

S1 MAC Address Table

<u>Port</u>	<u>MAC Address</u>
1	00-0A
3	00-0B

S2 MAC Address Table

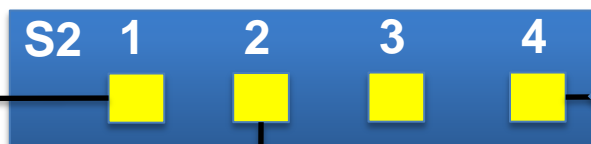
<u>Port</u>	<u>MAC Address</u>
1	00-0A



MAC
00-0A



MAC
00-0B



MAC
00-0C



Internet



MAC
00-0D



S1 MAC Address Table

<u>Port</u>	<u>MAC Address</u>
-------------	--------------------

1	00-0A
---	-------

3	00-0B
---	-------

S2 MAC Address Table

<u>Port</u>	<u>MAC Address</u>
-------------	--------------------

1	00-0A
---	-------

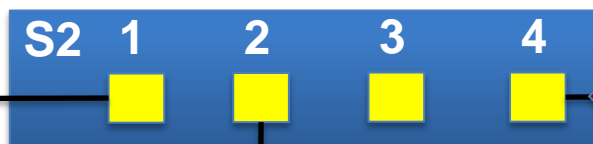
4	00-0D
---	-------



MAC
00-0A



MAC
00-0B



MAC
00-0C



Internet

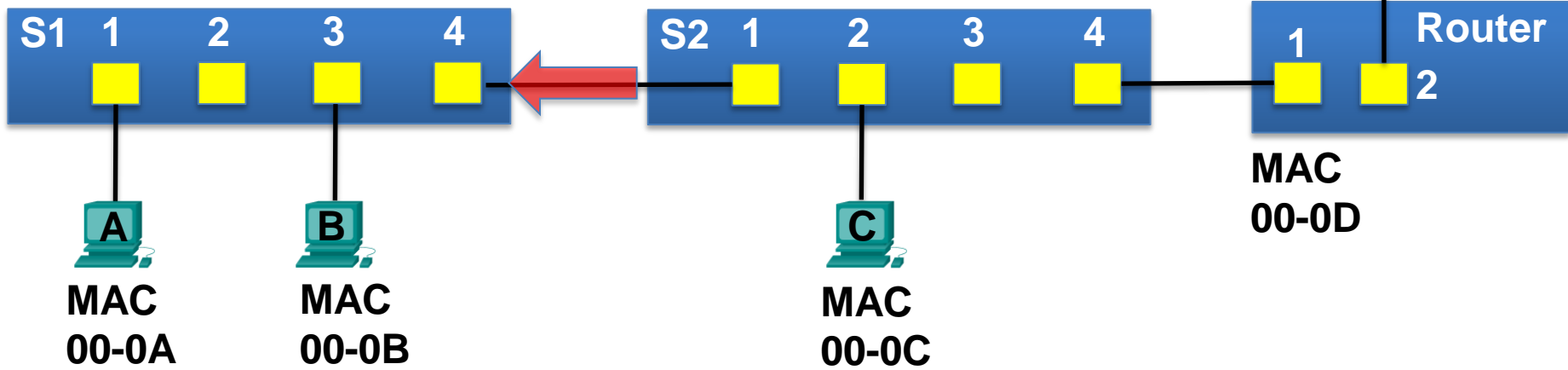


MAC
00-0D



S1 MAC Address Table	
<u>Port</u>	<u>MAC Address</u>
1	00-0A
3	00-0B
4	00-0D

S2 MAC Address Table	
<u>Port</u>	<u>MAC Address</u>
1	00-0A
4	00-0D



Destination MAC 00-0A	Source MAC 00-0D	Type	Data Source IP address on a remote network	FCS
--------------------------	---------------------	------	--	-----

S1 MAC Address Table

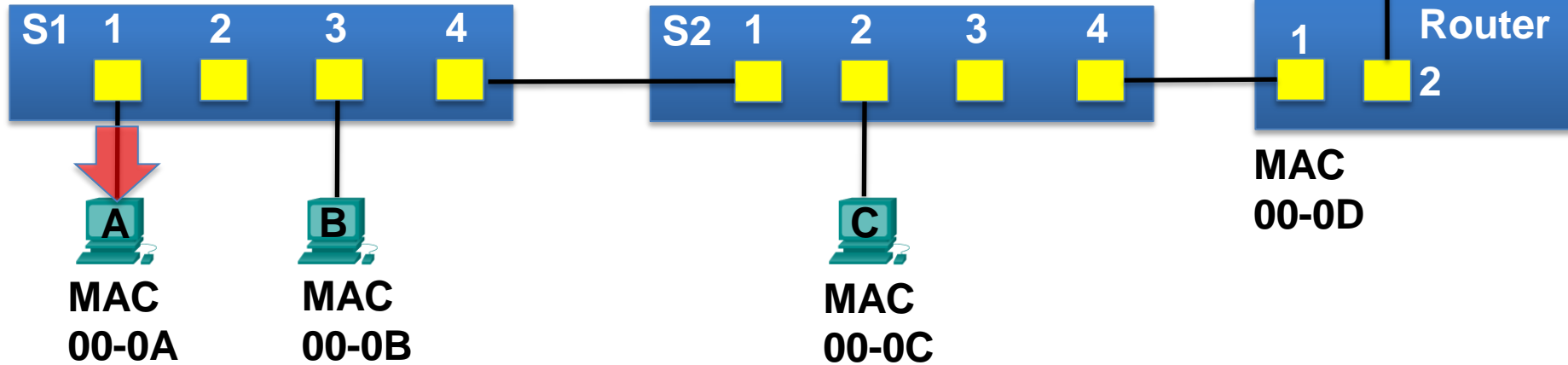
<u>Port</u>	<u>MAC Address</u>
-------------	--------------------

1	00-0A
3	00-0B
4	00-0D

S2 MAC Address Table

<u>Port</u>	<u>MAC Address</u>
-------------	--------------------

1	00-0A
4	00-0D



Destination MAC 00-0A

Source MAC 00-0D

Type

Data Source IP address on a remote network
--

FCS

S1 MAC Address Table

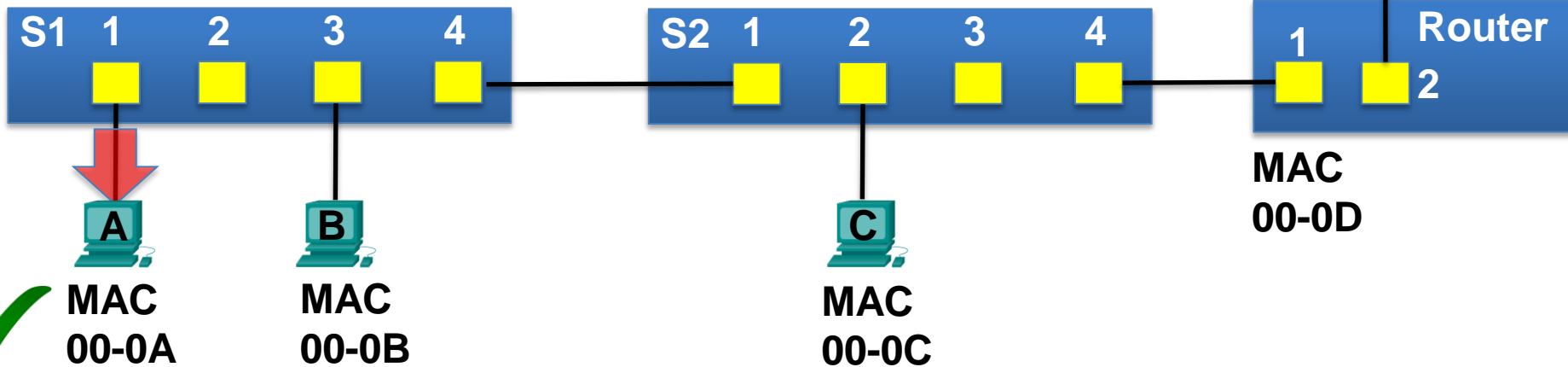
<u>Port</u>	<u>MAC Address</u>
-------------	--------------------

1	00-0A
3	00-0B
4	00-0D

S2 MAC Address Table

<u>Port</u>	<u>MAC Address</u>
-------------	--------------------

1	00-0A
4	00-0D



Destination MAC 00-0A

Source MAC 00-0D

Type

Data Source IP address on a remote network
--

FCS
